

Dynapac CA2500D

Single drum vibratory rollers



Technical data



Masses

Operating mass (incl. ROPS)	10,100 kg
Operating mass (incl. Cab)	10,300 kg
Module mass (front/rear)	5,600/4,700 kg
Max. operating mass	11,900 kg



Dimensions

Drum width	2,130 mm
------------	----------



Traction

Speed range	0 -12 km/h
Tyre size (8 ply)	23,1 x 26 AW
Theor. gradeability	51 %
Vertical oscillation	±9°



Compaction

Static linear load	26 kg/cm
Nominal amplitude (high/low)	1.8 mm/0.9 mm
Vibration frequency (high/low amplitude)	33 Hz/34 Hz
Centrifugal force (high/low amplitude)	250 kN/130 kN



Engine

Manufacturer/Model	Cummins QSF3.8 (IV/4final)
Type	Water cooled turbo Diesel
Rated power, SAE J1995	89 kW (120 hp) @ 2,200 rpm
Fuel tank capacity	272 l
DEF tank capacity	20 l



Engine

Manufacturer/Model	Cummins QSB4.5 (IIIB/4i)
Type	Water cooled turbo Diesel
Rated power, SAE J1995	97 kW (130 hp) @ 2,200 rpm



Engine

Manufacturer/Model	Cummins QSB4.5 (IIIA/3)
Type	Water cooled turbo Diesel
Rated power, SAE J1995	97 kW (130 hp) @ 2,200 rpm



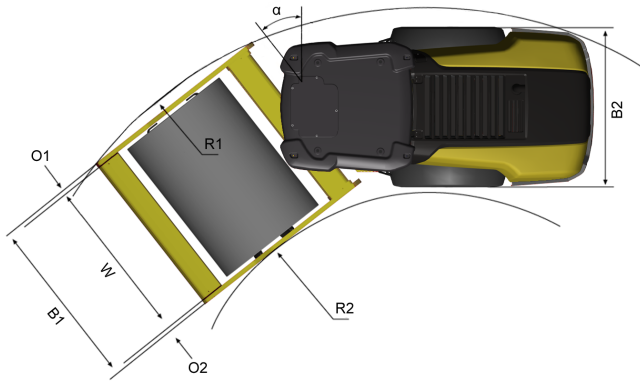
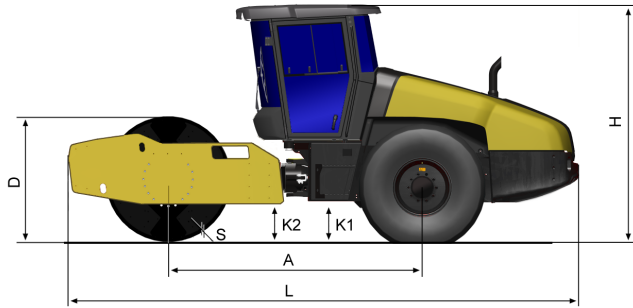
Hydraulic system

Driving	Hydrostatic
Vibration	Hydrostatic
Steering	Hydrostatic
Service brake	Hydrostatic in forward and reverse lever.
Parking/ Emergency brake	Failsafe multidisc brake in drum gear box and in rear axle.

Dynapac CA2500D

Single drum vibratory rollers

Technical data



Dimensions	
A. Wheelbase	2,990 mm
B1. Width, front	2,300 mm
B2. Width, rear	2,130 mm
D. Drum diameter	1,500 mm
H. Height, with ROPS/cab	2,870 mm
K1. Ground clearance	450 mm
K2. Curb clearance	450 mm
L. Length	5,990 mm
O1. Overhang, right	105 mm
O2. Overhang, left	105 mm
R1. Turning radius, outside	5,450 mm
R2. Turning radius, inside	3,300 mm
S. Drum shell thickness	25 mm
W. Drum width	2,130 mm
α . Steering angle	$\pm 38^\circ$