



## Operating Instructions and Parts Manual PTW Series Premium Pallet Trucks



For serial no. 17020001 and higher

**JET**  
427 New Sanford Road  
LaVergne, Tennessee 37086  
Ph.: 800-274-6848  
[www.jettools.com](http://www.jettools.com)

**Part No. M-140170**  
Revision C 03/2017  
Copyright © 2017 JET

# Warranty and Service

JET® warrants every product it sells against manufacturers' defects. If one of our tools needs service or repair, please contact Technical Service by calling 1-800-274-6846, 8AM to 5PM CST, Monday through Friday.

## Warranty Period

The general warranty lasts for the time period specified in the literature included with your product or on the official JET branded website.

- JET products carry a limited warranty which varies in duration based upon the product. (See chart below)
- Accessories carry a limited warranty of one year from the date of receipt.
- Consumable items are defined as expendable parts or accessories expected to become inoperable within a reasonable amount of use and are covered by a 90 day limited warranty against manufacturer's defects.

## Who is Covered

This warranty covers only the initial purchaser of the product from the date of delivery.

## What is Covered

This warranty covers any defects in workmanship or materials subject to the limitations stated below. This warranty does not cover failures due directly or indirectly to misuse, abuse, negligence or accidents, normal wear-and-tear, improper repair, alterations or lack of maintenance. JET woodworking machinery is designed to be used with Wood. Use of these machines in the processing of metal, plastics, or other materials may void the warranty. The exceptions are acrylics and other natural items that are made specifically for wood turning.

## Warranty Limitations

Woodworking products with a Five Year Warranty that are used for commercial or industrial purposes default to a Two Year Warranty. Please contact Technical Service at 1-800-274-6846 for further clarification.

## How to Get Technical Support

Please contact Technical Service by calling 1-800-274-6846. **Please note that you will be asked to provide proof of initial purchase when calling.** If a product requires further inspection, the Technical Service representative will explain and assist with any additional action needed. JET has Authorized Service Centers located throughout the United States. For the name of an Authorized Service Center in your area call 1-800-274-6846 or use the Service Center Locator on the JET website.

## More Information

JET is constantly adding new products. For complete, up-to-date product information, check with your local distributor or visit the JET website.

## How State Law Applies

This warranty gives you specific legal rights, subject to applicable state law.

## Limitations on This Warranty

JET LIMITS ALL IMPLIED WARRANTIES TO THE PERIOD OF THE LIMITED WARRANTY FOR EACH PRODUCT. EXCEPT AS STATED HEREIN, ANY IMPLIED WARRANTIES OF MERCHANTABILITY AND FITNESS FOR A PARTICULAR PURPOSE ARE EXCLUDED. SOME STATES DO NOT ALLOW LIMITATIONS ON HOW LONG AN IMPLIED WARRANTY LASTS, SO THE ABOVE LIMITATION MAY NOT APPLY TO YOU.

JET SHALL IN NO EVENT BE LIABLE FOR DEATH, INJURIES TO PERSONS OR PROPERTY, OR FOR INCIDENTAL, CONTINGENT, SPECIAL, OR CONSEQUENTIAL DAMAGES ARISING FROM THE USE OF OUR PRODUCTS. SOME STATES DO NOT ALLOW THE EXCLUSION OR LIMITATION OF INCIDENTAL OR CONSEQUENTIAL DAMAGES, SO THE ABOVE LIMITATION OR EXCLUSION MAY NOT APPLY TO YOU.

JET sells through distributors only. The specifications listed in JET printed materials and on official JET website are given as general information and are not binding. JET reserves the right to effect at any time, without prior notice, those alterations to parts, fittings, and accessory equipment which they may deem necessary for any reason whatsoever. JET® branded products are not sold in Canada by JPW Industries, Inc.

## Product Listing with Warranty Period

90 Days – Parts; Consumable items
1 Year – Motors; Machine Accessories
2 Year – Metalworking Machinery; Electric Hoists, Electric Hoist Accessories; Woodworking Machinery used for industrial or commercial purposes
5 Year – Woodworking Machinery
Limited Lifetime – JET Parallel clamps; VOLT Series Electric Hoists; Manual Hoists; Manual Hoist Accessories; Shop Tools; Warehouse & Dock products; Hand Tools; Air Tools

NOTE: JET is a division of JPW Industries, Inc. References in this document to JET also apply to JPW Industries, Inc., or any of its successors in interest to the JET brand.

# Table of Contents

Section	page
Warranty and Service.....	2
Table of Contents.....	3
IMPORTANT SAFETY INSTRUCTIONS.....	4
Introduction.....	4
Specifications.....	5
Assembly.....	6
Operation.....	7
Lubrication.....	7
Maintenance.....	8
O-Ring and Seal Replacement for Ram Piston and Plunger Piston.....	8
O-Ring and Seal Replacement for Valve Cartridge.....	8
Cleaning the Release Valve.....	8
Adjusting Relief Cam.....	8
Replacement Parts.....	9

## Record Your Purchase Information Here:

Purchased from \_\_\_\_\_ Date \_\_\_\_\_

Model Number \_\_\_\_\_ Stock Number \_\_\_\_\_

Serial Number \_\_\_\_\_ Date in Service \_\_\_\_\_



## IMPORTANT SAFETY INSTRUCTIONS

### WARNING – To reduce risk of injury:

- Read and understand the entire owner's manual before using the pallet truck.
- Do not place hands or feet under the pallet truck at any time.
- Do not operate a loaded pallet truck on ramps or inclines.
- Do not tip load pallet truck forks. This may cause damage to the forks and personal injury if the rear of the pallet truck suddenly “pops up.”
- Never leave a loaded pallet truck unattended in the raised position. Always lower load to the floor.
- Do not load pallet truck beyond its rated capacity.
- Secure load before transporting.
- To prevent accidental tipping, make sure load is centered on the forks.
- Do not move a loaded pallet truck by other than manual force.
- Failure to comply with these warnings may result in personal injury and/or property damage.
- Replace warning labels if they become obscured or removed.

## Introduction

To better understand the proper use and safe operation of your JET PTW Series Premium Pallet Truck, please take a few minutes to carefully read and follow the instructions contained in this manual. When finished reading and understanding the manual, please file in a safe and convenient location for the life of the pallet truck.

You will notice several important features about your JET Premium Pallet Truck. It features a 2-7/8” lowered height, rounded fork tips and nylon entry/exit rollers to provide easy entry and exit of pallets.

A large, easy-to-use ergonomic handle with a 200° turning radius allows maximum maneuverability. The articulated steer wheel axle helps maintain floor contact on uneven surfaces.

The cast iron pump design features top-of-the-stroke and overload by-pass systems, hardened and chromed ram and piston, and a single point valve service for easy replacement. A special lowering valve allows you to control the rate of descent and prevent “shock” loads.

Your JET Premium Pallet Truck is designed and built to offer consistent, long-term operation with minimal maintenance and service attention.

# Specifications

Model	Stock No.	W1 (in.)	W2 (in.)	L1 (in.)	L2 (in.)	H1 (in.)	H2 (in.)	A (DxW) (in.)	B (D x W)/in.	C (in.)	Max. Load (lbs.)	Net Wt. (lbs.)	Ship Wt. (lbs.)
PTW-2036	140170	20.5	6.25	36	51	7-3/4	2-7/8	7 x 2	2-7/8 x 3-11/16	47	6,000	143	152
PTW-2042	140171	20.5	6.25	42	57	7-3/4	2-7/8	7 x 2	2-7/8 x 3-11/16	47	6,000	152	161
PTW-2048	140172	20.5	6.25	48	63	7-3/4	2-7/8	7 x 2	2-7/8 x 3-11/16	47	6,000	161	169
PTW-2742	140174	27	6.25	42	57	7-3/4	2-7/8	7 x 2	2-7/8 x 3-11/16	47	6,000	158	167
PTW-2748	140175	27	6.25	48	63	7-3/4	2-7/8	7 x 2	2-7/8 x 3-11/16	47	6,000	172	180

All models –

Force required to pump @ maximum load: 78 lbs.

Force required to move @ maximum load: 110 lbs.

Handle cycles to maximum height: 12

Ram/Pump piston outside diameter: 1.24 / 0.71 in.

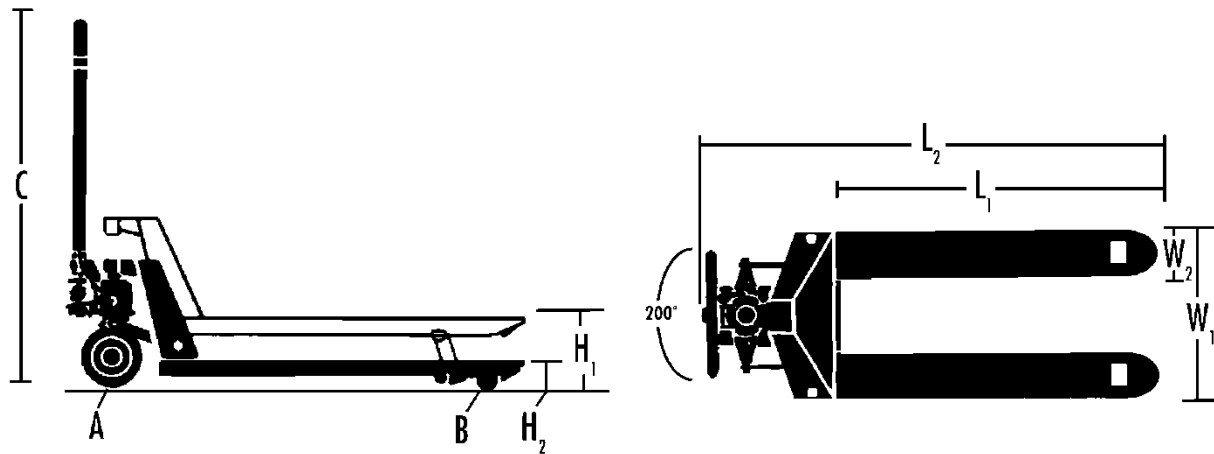


Figure 1

The specifications in this manual were current at time of publication, but because of our policy of continuous improvement, JET reserves the right to change specifications at any time and without prior notice, without incurring obligations.

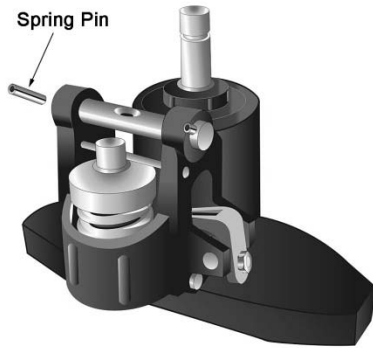
# Assembly

**Note:** Individual pallet trucks are assembled and ready to use. Pallet trucks purchased in crate quantities (6 units to a crate) require some assembly. Match the “letter” label on the handle assembly to the “letter” label on the frame, prior to assembly.

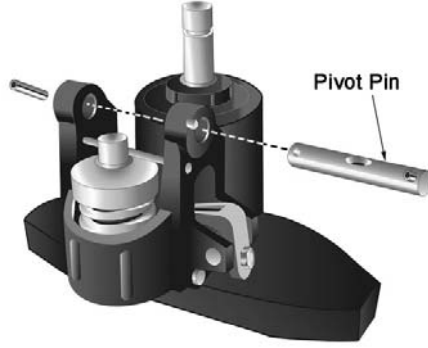
## Tools required for assembly:

Hammer  
Pliers

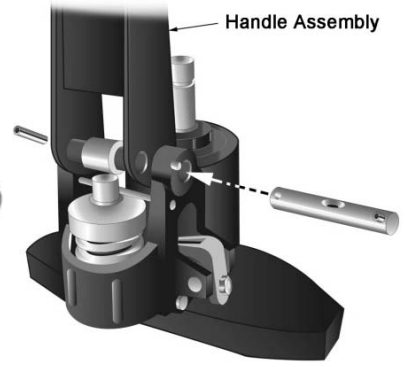
## To attach handle assembly to the frame (Figures 2-6):



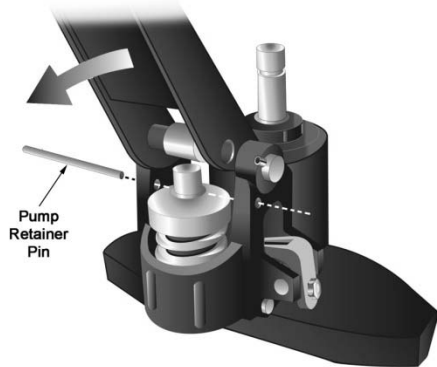
1. Remove the spring pin.



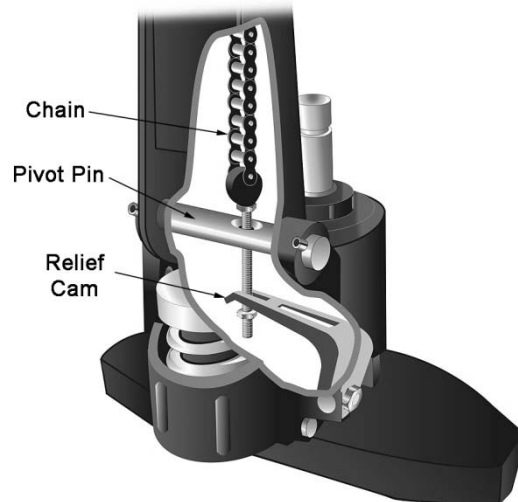
2. Tap out the pivot pin.



3. Align the holes in the handle with the holes in the pump body. Tap the pivot pin into the handle and pump body.
4. Using pliers, turn the pivot pin until spring pin holes line up.
5. Using a hammer, tap the spring pin into the pump body and pivot pin.



6. Lower the handle until the spring cap is contacted. (This will reduce some of the pressure on the pump retainer pin, making it easier to remove.)
7. Tap out the pump retainer pin.



8. Feed the chain anchor through the hole in the pivot pin.
9. Position the chain anchor through the fork of the relief cam, with the lock nut below the fork.

## Operation

To raise the forks, push lever down and pump the handle until desired height is reached.

To lower forks, pull lever up. The lever is spring loaded and will return to the neutral position when released.

To freely move the handle, set the lever in the center neutral position.

### To lift a load:

1. Lower forks to lowest position.
2. Insert forks under load or into pallet.
3. Push the lever down.
4. Move handle up and down until forks reach desired height.

### To move a load:

1. Place lever in center neutral position.
2. Pull or push to desired location.

### To lower a load:

1. Pull lever up, and allow load to settle.
2. Pull forks away from load.

## Lubrication

Check the oil level *annually* by unscrewing oil fill plug (Figure 7). When changing or adding oil, fill the reservoir through the plug hole to 80% capacity (approximately 2 inches deep) with hydraulic jack oil. Do not overfill.

After filling and re-installing plug, bleed the pump. (See page 8 for procedure).

There are nine grease nipples at the locations listed below. These should be greased on a *semi-annual basis*.

See Figures 8 and 9.

- A – Pressure plate (qty. 1)
- B – Lift arm assembly (qty. 2)
- C – Inside shaft holders of the frame (qty. 2)
- D – Load wheel frame (qty. 4: two each frame)

In addition, lightly oil all moving parts.

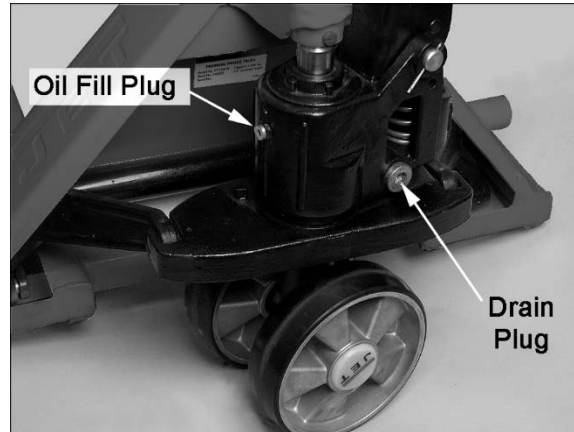


Figure 7

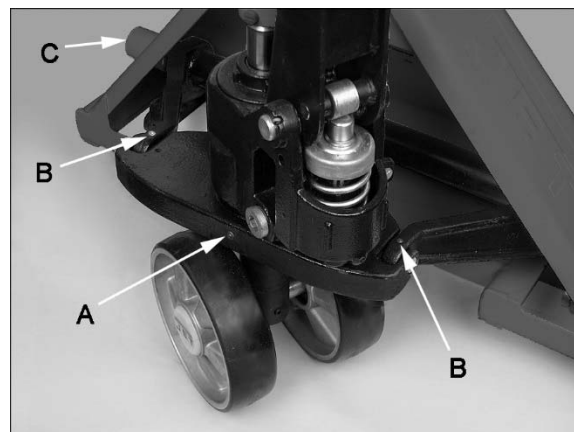


Figure 8

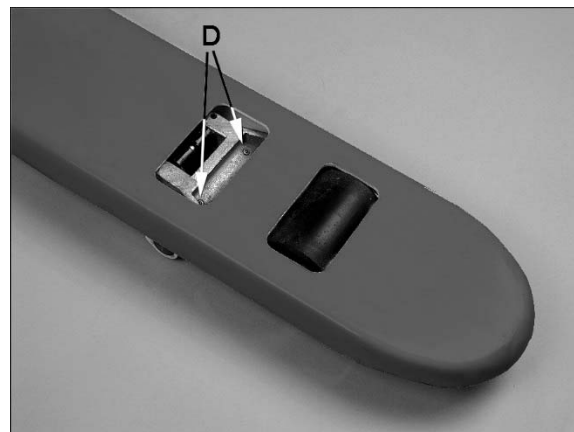


Figure 9

## Maintenance

**IMPORTANT:** Repairs and seal ring replacements should be performed only by qualified personnel. Also, certain procedures may require specialized tools. You can locate the nearest authorized JET Service Center on our website: [www.jettools.com](http://www.jettools.com).

Numbers in parentheses refer to index numbers in the parts breakdowns, pages 10 and 11.

### O-Ring and Seal Replacement for Ram Piston and Plunger Piston

1. Raise the pallet truck to maximum height by pumping handle.
2. Unscrew the set screw (#102) to release the ram shaft from the top of the frame.
3. Turn the pallet truck on its side. Remove the wheels and wheel shaft. Remove the C-clip (#78). This will free the pump and handle assembly from the main truck body.
4. Turn the pallet truck upright. Remove drain plug (see Figure 7) and empty the oil into a suitable container. Pump handle until all oil has drained.
5. Pull out ram piston (#59). If plunger piston (#20) is to be pulled out, remove handle assembly to access.
6. Remove cylinder cap (#61) for Piston.
7. Remove all O-Rings & Seals.
8. Insert new O-Ring or Seal one at a time making sure to replace with the same size that was removed.
9. Re-assemble.
10. Refill oil to correct level (80% capacity or approximately 2 inches deep in reservoir), and install oil fill plug.

### O-Ring and Seal Replacement for Valve Cartridge

1. Remove drain plug (see Figure 7), and empty the oil into a suitable container. Pump handle until all oil has drained.
2. Remove the C-clip (#55) and tap out clevis pin (#30).
3. Remove the relief cam (#54).
4. Unscrew the valve cartridge (#42).

5. Remove all O-Rings & Seals.
6. Insert new O-Ring or Seal one at a time making sure to replace with the same size that was removed.
7. Re-assemble the valve cartridge and relief cam.
8. Refill oil to correct level (80% capacity or approximately 2 inches deep in reservoir), and install oil fill plug.

### Cleaning the Release Valve (Bleeding the Pump)

Over time the release valve assembly may become clogged with debris. To clean the release valve:

1. Pump handle quickly raising pallet truck to full extent. While continuing pump action, pull lever to down position.
2. When forks reach total down position, valve is flushed. Repeat if necessary.

### Adjusting Relief Cam

1. Place handle lever in the neutral position.
2. Loosen #52 hex nut.
3. Adjust #53 socket set screw while pumping the handle.
4. The cam is properly adjusted when pumping the handle in the neutral position causes no movement.
5. Re-tighten hex nut to secure the setting.



# Troubleshooting the PTW Series Pallet Trucks

Any disassembly of the pallet truck should be done by qualified personnel. Contact Jet technical service if further assistance is needed.

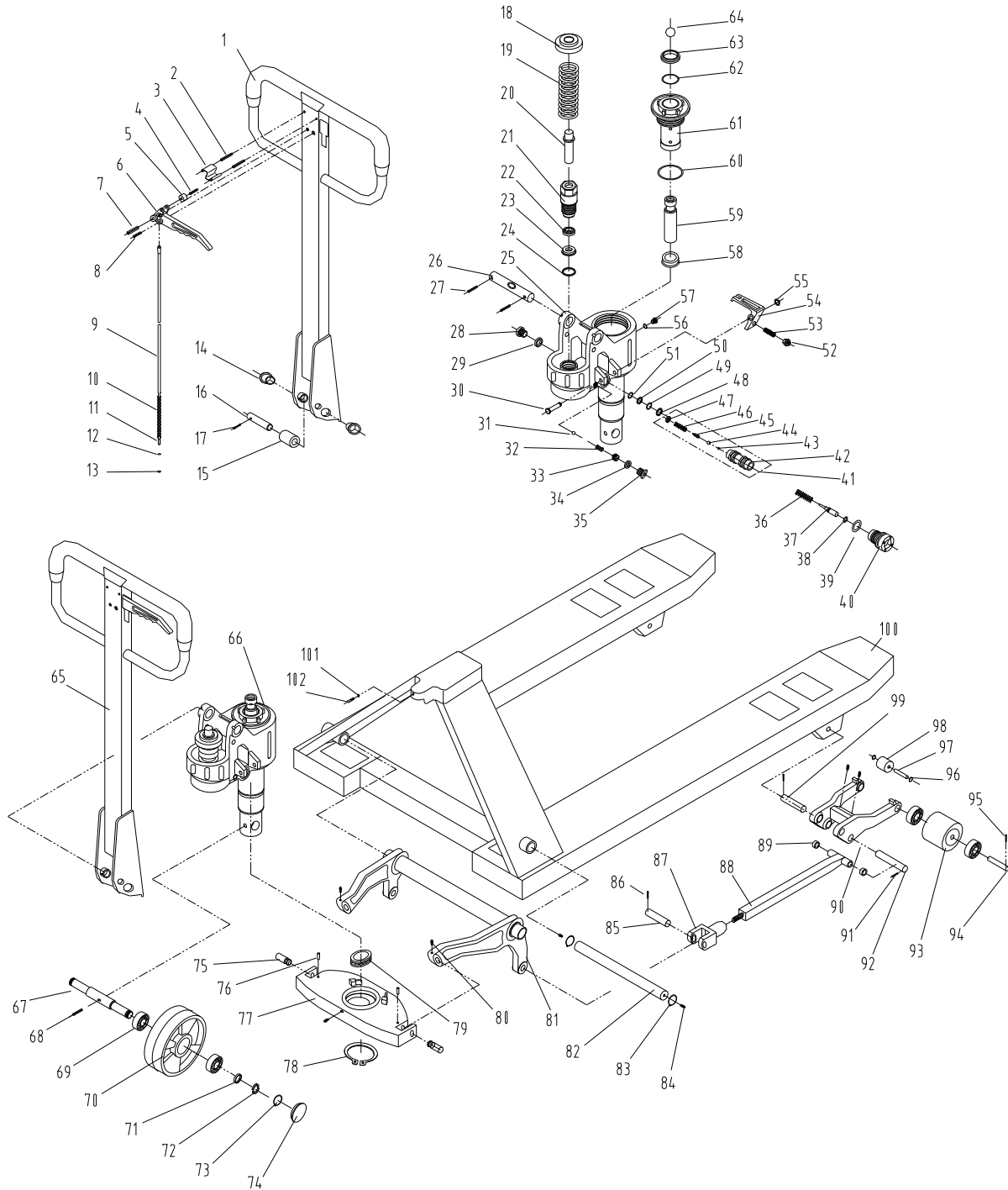
Trouble	Probable Cause	Remedy
Hydraulic unit does not lift.	Low oil level in reservoir.	Make sure there is no oil leakage from valve, and add oil.
	Steel ball not seated in hydraulic unit.	Place the lever in the down position and pump the handle repeatedly.
	Worn U-packing in ram cylinder.	Consult authorized service center.
Once lifted, truck lowers by itself.	Steel ball not seated in hydraulic unit.	Bleed the pump.
	Worn seal in ram cylinder.	Have seal(s) replaced.
	Release valve not seated properly.	Bleed the pump.
	Release valve not adjusted properly.	Reload truck within load capacity and adjust valve by pressure adjustment screw.
	Oil leakage from each valve.	Tighten plug of each valve.
Fork does not lower.	Relief cam or chain element broken.	Replace affected elements.
	Relief cam nut out of adjustment.	Refer to "Adjusting Relief Cam."
	Broken fork rods and linkage.	Inspect linkages for breaks or cracks. Replace elements as needed.
Lever does not set at Up-down.	Relief cam nut out of adjustment.	Refer to "Adjusting Relief Cam."
Truck doesn't roll smoothly or evenly.	Wheels have debris embedded, or out of round due to wear.	Inspect and remove debris. If worn, replace wheels. NOTE: Always replace wheels in pairs.

## Replacement Parts

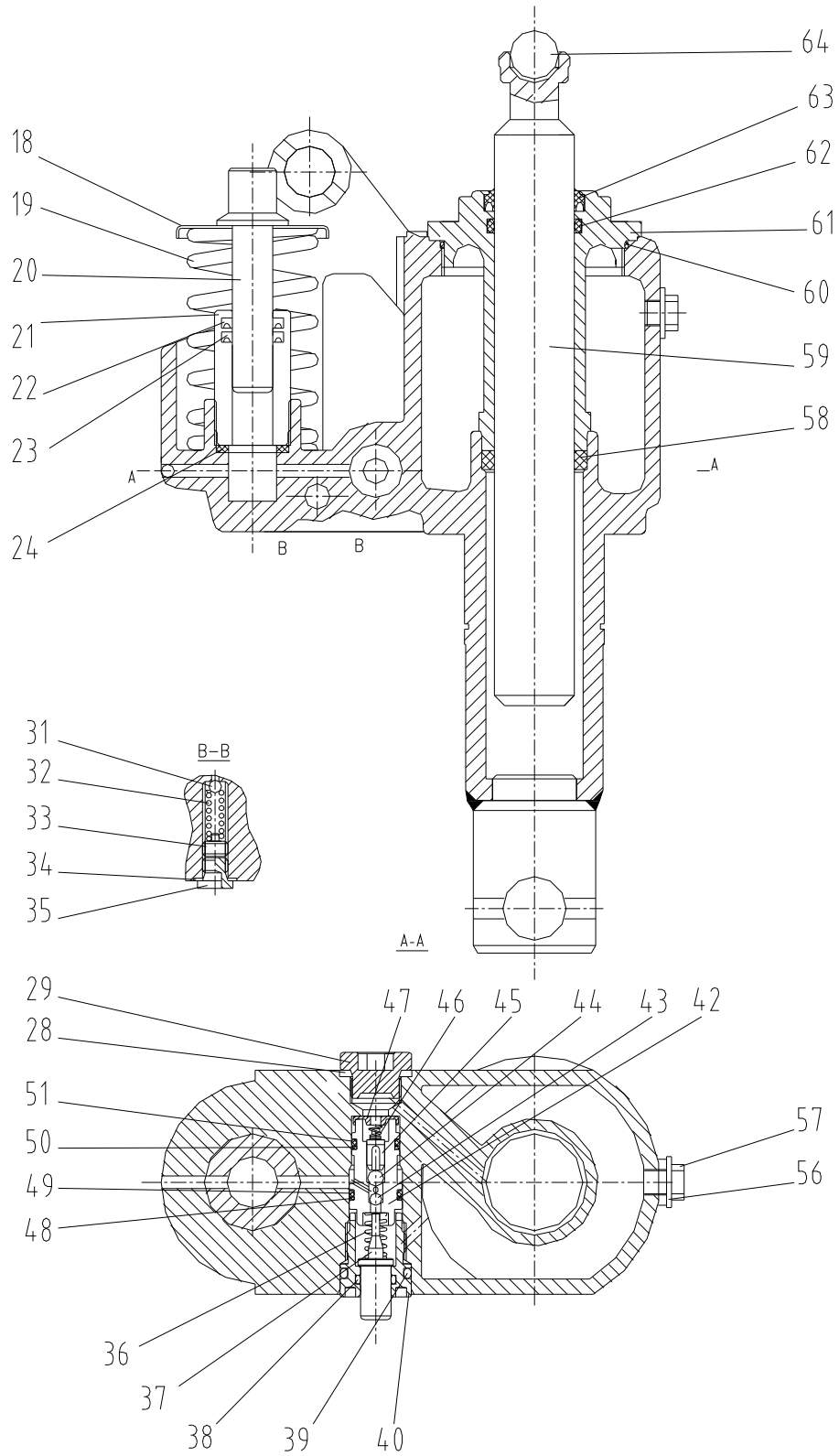
Replacement parts are listed on the following pages. To order parts or reach our service department, call 1-800-274-6848 Monday through Friday, 8:00 a.m. to 5:00 p.m. CST. Having the Model Number and Serial Number of your machine available when you call will allow us to serve you quickly and accurately.

Non-proprietary parts, such as fasteners, can be found at local hardware stores, or may be ordered from JET. Some parts are shown for reference only, and may not be available individually.

# Parts Breakdown for PTW Series Pallet Trucks



# Parts Breakdown for PTW Series Pallet Trucks



## Parts List for PTW Series Pallet Trucks

Index No.	Part No.	Description	Size	Qty
1	PT2036-1-1	Handle Assembly		1
2	PT2036-1-2	Spring Pin	Ø4x32mm	2
3	PT2036-1-3	Spring for Lowering Lever		1
4	PT2036-1-4	Spring Pin	Ø4x20mm	1
5	PT2036-1-5	Stop Rubber		1
6	PT2036-1-6	Lowering Lever		1
7	PT2036-1-7	Spring Pin	Ø6x32mm	1
8	PT2036-1-8	Spring Pin	Ø4x20mm	1
9	PT2036-1-9	Lowering Linkage		1
10	PT2036-1-10	Chain		1
11	PT2036-1-11	Chain Anchor		1
12	TS-1540031	Hex Nut	M5	1
13	TS-1541011	Lock Nut	M5	1
14	PT2036-1-14	Bushing with Self-Lubricator		2
15	PT2036-1-15	Pressure Roller		1
16	PT2036-1-16	Pressure Roller Shaft		1
17	PT2036-1-17	Spring Pin	Ø3x20 mm	1
18	PT2036-2-1	Spring Cap		1
19	PT2036-2-2	Plunger Spring		1
20	PT2036-2-3	Plunger Piston	Ø18 mm	1
21	PT2036-2-4	Plunger Cylinder		1
22	PT2036-2-5	DHS Seal *	Ø18 mm	1
23	PT2036-2-6	UHS Seal *	Ø18 mm	1
24	PT2036-2-7	Copper Seal *	Ø28x1.5 mm	1
25	PT2036-2-8	Pump Body		1
26	PT2036-2-9	Pivot Pin		1
27	PT2036-2-10	Spring Pin	Ø4x40 mm	2
28	PT2036-2-11	Screw Plug	M20x1.5	1
29	PT2036-2-12	Washer Seal *	Ø20x2 mm	1
30	PT2036-2-13	Clevis Pin	Ø8x50 mm	1
31	PT2036-2-14	Steel Ball **	Ø6.35 mm	1
32	PT2036-2-15	Spring **		1
33	PT2036-2-16	Set Screw **		1
34	PT2036-2-17	Washer **	Ø12 mm	1
35	PT2036-2-18	Screw Plug **	M12x1	1
36	PT2036-2-19	Relief Nozzle Spring		1
37	PT2036-2-20	Relief Nozzle		1
38	PT2036-2-21	O-Ring *	Ø16x2.4 mm	1
39	PT2036-2-22	O-Ring *	Ø28x3.5 mm	1
40	PT2036-2-23	Copper Plug		1
41	PT2036-2-24	Valve Assembly (includes index #42 through 47)		1
42	PT2036-2-24-1	Valve Body		1
43	PT2036-2-24-2	Steel Ball	Ø4.75 mm	1
44	PT2036-2-24-3	Steel Ball	Ø6.35 mm	1
45	PT2036-2-24-4	Taper Valve		1
46	PT2036-2-24-5	Taper Spring		1
47	PT2036-2-24-6	Valve Cap		1
48	PT2036-2-25	UN Seal *	Ø17 mm	1
49	PT2036-2-26	O-Ring *	Ø16x2.5 mm	1
50	PT2036-2-27	UN Seal *	Ø15 mm	1
51	PT2036-2-28	O-Ring *	Ø14x2.4 mm	1
52	PT2036-2-29	Adjust Nut	M8	1
53	PT2036-2-30	Adjust Screw	M8	1
54	PT2036-2-31	Relief Cam		1
55	PT2036-2-32	C-Clip	Ø8 mm	1
56	PT2036-2-33	O-Ring *	Ø11x1.9 mm	1
57	PT2036-2-34	Screw Plug	M10x1	1
58	PT2036-2-35	UHS Seal *	Ø31.5 mm	1
59	PT2036-2-36	Piston Rod	Ø31.5 mm	1

Index No.	Part No.	Description	Size	Qty
60	PT2036-2-37	O-Ring *	Ø69x2.65 mm	1
61	PT2036-2-38	Cylinder Cap		1
62	PT2036-2-39	O-Ring *	Ø31.5x3.55 mm	1
63	PT2036-2-40	DHS Seal *	Ø31.5 mm	1
64	PT2036-2-41	Steel Ball	Ø19 mm	1
65	PT2036-3-1	Handle Assembly		1
66	PT2036-3-2	Pump Assembly		1
67	PT2036-3-3	Wheel Axle		1
68	PT2036-3-4	Spring Pin	Ø8x45 mm	1
69	BB-6204ZZ	Bearing with Cover	6204ZZ	8
70	PT2036-3-6	Steering Wheel	Ø180x50mm	2
71	PT2036-3-7	Half-Cirque Bushing		2
72	PT2036-3-8	C-Clip		4
73	PT2036-3-9	C-Clip	Ø20 mm	2
74	PT2036-3-10	Dust-Cover		2
75	PT2036-3-11	Arm Pin		2
76	PT2036-3-12	Spring Pin	Ø5x35 mm	2
77	PT2036-3-13	Pressure Plate		1
78	PT2036-3-14	C-Clip	Ø52 mm	1
79	PT2036-3-15	Thrust Bearing	Ø55 mm (81111)	1
80	PT2036-3-16	Lubricating Cup	Ø6 mm	7
81	PT2036-3-17	Lift Arm for 20.5" Wide Frames		1
	BF2736-3-17	Lift Arm for 27" Wide Frames		1
82	PT2036-3-18	Long Shaft for 20.5" Wide Frames		1
	BF2736-3-18	Long Shaft for 27" Wide Frames		1
83	PT2036-3-19	C-Clip	Ø25 mm	2
84	PT2036-3-20	Lubricating Cup	M6	2
85	PT2036-3-21	Joint Pin		2
86	PT2036-3-22	Spring Pin	Ø5x35 mm	2
87	PT2036-3-23	Joint		2
88	PT2036-3-24	Push Rod for 36" Forks	30x30 mm	2
	PT2042-3-24	Push Rod for 42" Forks	30x30 mm	2
	PT2048-3-24	Push Rod for 48" Forks	30x30 mm	2
89	PT2036-3-25	Plastic Bushing		4
90	PT2036-3-26	Load Wheel Frame		2
91	PT2036-3-27	Spring Pin	Ø5x30 mm	4
92	PT2036-3-28	Load Wheel Frame Shaft		2
93	PT2036-3-29	Load Wheel	Ø80x90 mm	2
94	PT2036-3-30	Wheel Shaft		2
95	PT2036-3-31	Spring Pin	Ø5x35	2
96	PT2036-3-32	C-Clip	Ø12 mm	4
97	PT2036-3-33	Entry Roller Shaft		2
98	PT2036-3-34	Entry Roller	Ø40x35 mm	2
99	PT2036-3-35	Tappet Shaft		2
100	PT2036-3-36G	Fork Frame for PTW-2036		1
	PT2042-3-36G	Fork Frame for PTW-2042		1
	PT2048-3-36G	Fork Frame for PTW-2048		1
	PT2742-3-36G	Fork Frame for PTW-2742		1
	PT2748-3-36G	Fork Frame for PTW-2748		1
101	PT2036-3-37	Spring Washer	Ø8 mm	1
102	PT2036-3-38	Screw	M8	1
	PT2036-SK	O-Ring and Seal Kit *		1
	PT2036-RV	Relief Valve (Overload Valve Assembly) **		1

\* available only in the PT2036-SK, O-Ring and Seal Kit

\*\* available only in the PT2036-RV, Relief Valve (Overload Valve Assembly)

This page intentionally left blank.

This page intentionally left blank.



427 New Sanford Road  
LaVergne, Tennessee 37086  
Phone: 800-274-6848  
[www.jettools.com](http://www.jettools.com)