

### Specifications

Models	AWP-20S		AWP-25S		AWP-30S	
Measurements	US	Metric	US	Metric	US	Metric
Working height*	26 ft 1 in	8.12 m	30 ft 10 in	9.60 m	35 ft 6 in	11.00 m
Platform height	20 ft 1 in	6.12 m	24 ft 11 in	7.60 m	29 ft 6 in	9.00 m
<b>A</b> Height - stowed (Standard)	6 ft 6 in	1.98 m	6 ft 6 in	1.98 m	6 ft 6 in	1.98 m
stowed (RT/Narrow)	6 ft 7 in	2.01 m	6 ft 7 in	2.01 m	6 ft 7 in	2.01 m
<b>B</b> tilted back** (Standard)	_____	_____	_____	_____	_____	_____
<b>C</b> Length - stowed (Standard)	4 ft 1 in	1.24 m	4 ft 3.5 in	1.31 m	4 ft 5 in	1.35 m
stowed (RT/ Narrow)	5 ft 3 in	1.60 m	5 ft 3 in	1.60 m	5 ft 3 in	1.60 m
<b>D</b> Length - tilted back**	_____	_____	_____	_____	_____	_____
<b>E</b> Width (Standard)	2 ft 5 in	.74 m	2 ft 5 in	.74 m	2 ft 5 in	.74 m
Width (RT)	2 ft 6 in	.76 m	2 ft 6 in	.76 m	2 ft 6 in	.76 m
Width (Narrow)	1 ft 10 in	.56 m	1 ft 10 in	.56 m	1 ft 10 in	.56 m

### Productivity

Lift capacity	350 lbs	159 kg	350 lbs	159 kg	350 lbs	159 kg
ANSI/CSA:						
<b>A</b> <b>A</b> Outrigger footprint (l/w) (Standard)	5 ft 1 in/4 ft 5 in	1.55/1.35 m	5 ft 1 in/4 ft 5 in	1.55/1.35 m	5 ft 9 in/5 ft 1 in	1.75/1.55 m
Outrigger footprint (l/w) (RT/Narrow)	5 ft 4 in/4 ft 2 in	1.63/1.27 m	5 ft 4 in/4 ft 2 in	1.63/1.27 m	6 ft/5 ft	1.83/1.52 m
<b>A</b> Corner access*** (Standard)	1 ft 3 in	.38 m	1 ft 2 in	.36 m	1 ft 7 in	.48 m
Corner access*** (RT/Narrow)	1 ft 2 in	.36 m	1 ft 1 in	.33 m	1 ft 7 in	.48 m
<b>A</b> <b>A</b> Wall access front/side (Standard)	6 in/1 ft 1 in	.15/.33 m	3 in/1 ft 1 in	.08/.33 m	5 in/1 ft 5 in	.13/.43 m
Wall access front/side (RT/Narrow)	9 in/1 ft	.23/.30 m	6 in/1 ft	.15/.30 m	7 in/1 ft 5 in	.18/.43 m
Platform Dimensions: (l/w/h)						
Standard	27/26/44.75 in	.69/.66/1.14 m	27/26/44.75 in	.69/.66/1.14 m	27/26/44.75 in	.69/.66/1.14 m
Gated standard	27/26/44.75 in	.69/.66/1.14 m	27/26/44.75 in	.69/.66/1.14 m	27/26/44.75 in	.69/.66/1.14 m
Gated narrow	26/20/44.75 in	.66/.51/1.14 m	26/20/44.75 in	.66/.51/1.14 m	26/20/44.75 in	.66/.51/1.14 m
Gated ultra-narrow	22/18/44.75 in	.56/.46/1.14 m	22/18/44.75 in	.56/.46/1.14 m	22/18/44.75 in	.56/.46/1.14 m
Standard fiberglass	29/26.5/43.5 in	.74/.67/1.10 m	29/26.5/43.5 in	.74/.67/1.10 m	29/26.5/43.5 in	.74/.67/1.10 m

### Power

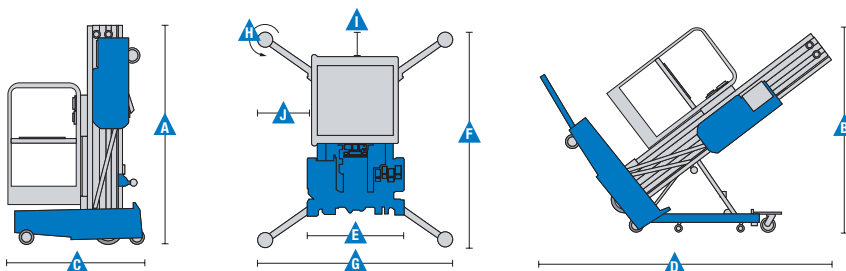
Power source 12V DC 110/50-60 Hz or 220/50-60 Hz AC

### Weight

AC models (Standard)	677 lbs	307 kg	727 lbs	330 kg	777 lbs	352 kg
AC models (RT/Narrow)	660 lbs	299 kg	694 lbs	315 kg	729 lbs	330 kg
DC models (Standard)	766 lbs	348 kg	817 lbs	371 kg	867 lbs	393 kg
DC models (RT/Narrow)	749 lbs	339 kg	780 lbs	355 kg	818 lbs	370 kg
Air motor (Standard)	_____	_____	_____	_____	777 lbs	352 kg
Air motor (RT/Narrow)	_____	_____	_____	_____	729 lbs	331 kg

### Standards Compliance

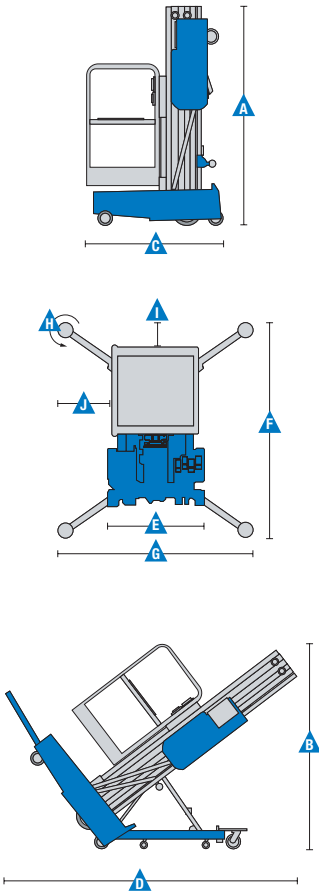
ANSI A92.3, CSA B354.1, EN 280, AS 1418.10



# Aerial Work Platforms

## AWP® Super Series™

### Specifications



Models	AWP-36S		AWP-40S	
Measurements	US	Metric	US	Metric
Working height*	42 ft 5 in	13.1 m	46 ft 4 in	14.29 m
Platform height	36 ft 5 in	11.10 m	40 ft 4 in	12.29 m
<b>A</b> Height - stowed (Standard)	9 ft 1.5 in	2.78 m	9 ft 1.5 in	2.78 m
stowed (RT)	_____	_____	_____	_____
<b>B</b> Height - tilted back** (Standard)	6 ft 3.5 in	1.92 m	6 ft 6 in	1.98 m
<b>C</b> Length - stowed (Standard)	4 ft 7 in	1.40 m	4 ft 8 in	1.42 m
stowed (RT)	_____	_____	_____	_____
<b>D</b> Length - tilted back**	9 ft 9 in	2.97 m	9 ft 9 in	2.97 m
<b>E</b> Width (Standard)	2 ft 5 in	.74 m	2 ft 5 in	.74 m
Width (RT)	_____	_____	_____	_____
Width (Narrow)	_____	_____	_____	_____

### Productivity

Lift capacity	350 lbs	159 kg	300 lbs	136 kg
ANSI/CSA:				
<b>F</b> <b>G</b> Outrigger footprint (l/w) (Standard)	6 ft 11 in/6 ft 3 in	2.1/1.9 m	7 ft 5 in/6 ft 9 in	2.26/2.06 m
Outrigger footprint (l/w) (RT)	_____	_____	_____	_____
<b>H</b> Corner access*** (Standard)	2 ft 5 in	.74 m	2 ft 7 in	.79 m
Corner access*** (RT)	_____	_____	_____	_____
<b>I</b> <b>J</b> Wall access front/side (Standard)	1 ft 2 in/2 ft 1 in	.36/.64 m	1 ft 3 in/2 ft 4 in	.38/.71 m
Wall access front/side (RT)	_____	_____	_____	_____
Platform Dimensions: (l/w/h)				
Standard	27/26/44.75 in	.69/.66/1.14 m	27/26/44.75 in	.69/.66/1.14 m
Gated standard	27/26/44.75 in	.69/.66/1.14 m	27/26/44.75 in	.69/.66/1.14 m
Gated narrow	26/20/44.75 in	.66/.51/1.14 m	26/20/44.75 in	.66/.51/1.14 m
Gated ultra-narrow	22/18/44.75 in	.56/.46/1.14 m	22/18/44.75 in	.56/.46/1.14 m
Standard fiberglass	29/26.5/43.5 in	.74/.67/1.10 m	29/26.5/43.5 in	.74/.67/1.10 m

### Power

Power source	12V DC 110/50-60 Hz or 220/50-60 Hz AC
--------------	--

### Weight

AC models (Standard)	1,040 lbs	472 kg	1,040 lbs	472 kg
AC models (RT)	_____	_____	_____	_____
DC models (Standard)	1,107 lbs	502 kg	1,130 lbs	513 kg
DC models (RT)	_____	_____	_____	_____
Air motor (Standard)	_____	_____	_____	_____
Air motor (RT)	_____	_____	_____	_____

### Standards Compliance

ANSI A92.3, CSA B354.1, EN 280, AS 1418.10

\* The metric equivalent of working height adds 2 m to platform height. U.S. adds 6 ft to platform height.  
 \*\* Tilt back height with standard platform. For tilt back height with other platforms, please contact your sales representative.  
 \*\*\* Corner of platform top rail to corner of wall with ability to rotate leveling jack handle.

### Features

#### Standard Features

##### Measurements

###### AWP-20S

- 26 ft 1 in (8.12 m) working height
- 20 ft 1 in (6.12 m) platform height
- 2 ft 5 in (.74 m) standard base width
- 2 ft 6 in (.76 m) RT base width
- 1 ft 11 in (.58 m) narrow base width
- Up to 350 lbs (159 kg) lift capacity

###### AWP-25S

- 30 ft 10 in (9.57 m) working height
- 24 ft 10 in (7.57 m) platform height
- 2 ft 5 in (.74 m) standard base width
- 2 ft 6 in (.76 m) RT base width
- 1 ft 11 in (.58 m) narrow base width
- Up to 350 lbs (159 kg) lift capacity

###### AWP-30S

- 35 ft 6 in (11.02 m) working height
- 29 ft 6 in (9.02 m) platform height
- 2 ft 5 in (.74 m) standard base width
- 2 ft 6 in (.76 m) RT base width
- 1 ft 11 in (.58 m) narrow base width
- Up to 350 lbs (159 kg) lift capacity

###### AWP-36S

- 42 ft 5 in (13.10 m) working height
- 36 ft 5 in (11.10 m) platform height
- 2 ft 5 in (.74 m) standard base width
- Up to 350 lbs (159 kg) lift capacity

###### AWP-40S

- 46 ft 4 in (14.29 m) working height
- 40 ft 4 in (12.29 m) platform height
- 2 ft 5 in (.74 m) standard base width
- Up to 300 lbs (136 kg) lift capacity

#### Standard Features

##### Productivity

- Auxiliary platform lowering
- Most rigid mast in the industry
- Rocker base system for maneuverability
- Tilt back frame (standard on AWP™-36, -40)
- Easily rolls through standard doorways
- AC power to platform\*\*\*
- Dual activated up/down switch
- Ground fault interrupt (ANSI / CSA only)
- Small outrigger footprints
- Outrigger storage sockets
- Easy loading in pickup trucks
- Tie down attachment points
- Overhead crane attachment point
- Wide, rear access forklift pockets
- LED lights indicate outrigger installation

##### Power

- AC power 85V / 50-60 Hz
- AC power 110V / 50-60 Hz
- AC power 220V / 50-60 Hz
- DC power with worldwide automatic smart charging system (12V / 110V / 230V / 50-60 Hz)

#### Options & Accessories

##### Productivity

- Super Straddle
- Descent light and alarm package
- Work station tool tray\*
- Fluorescent tube caddy\*\*
- Platform locating laser light\*\*

##### Power

- Air motor power 1.5 hp (1.1 kW) (AWP™-30 only)

##### Platform Options

- Gated standard platform
- Gated narrow platform
- Gated ultra-narrow platform
- Standard fiberglass platform

##### Base Options

- Rough terrain (RT) base with pneumatic casters and rear wheels (AWP™-20, -25, -30 only)
- Narrow base (AWP-20, AWP-25, AWP-30 only)



\* Not available on narrow or ultra-narrow platform  
 \*\* Not available on fiberglass platform  
 \*\*\* Not available with AWP-30S air motor

#### Genie United States

6464 185th Ave. NE  
 Redmond, WA 98052  
 Telephone +1 (425) 881-1800  
 Toll Free in USA/Canada +1 (800)-536-1800  
 Fax +1 (425) 883-3475

#### Distributed By:

Effective Date: May, 2018. Product specifications and prices are subject to change without notice or obligation. The photographs and/or drawings in this document are for illustrative purposes only. Refer to the appropriate Operator's Manual for instructions on the proper use of this equipment. Failure to follow the appropriate Operator's Manual when using our equipment or to otherwise act irresponsibly may result in serious injury or death. The only warranty applicable to our equipment is the standard written warranty applicable to the particular product and sale and we make no other warranty, express or implied. Products and services listed may be trademarks, service marks or trade names of Terex Corporation and/or their subsidiaries in the USA and many other countries. Terex, Genie and AWP are registered trademarks of Terex Corporation or its subsidiaries. © 2018 Terex Corporation.

### Specifications

Super Straddle Models	AWP-20S		AWP-25S		AWP-30S	
Measurements	US	Metric	US	Metric	US	Metric
<b>A</b> Height	5 ft 10 in	1.78 m	5 ft 10 in	1.78 m	5 ft 10 in	1.78 m
<b>B</b> Length (adjustable)	9 ft 1 in - 11 ft 3 in	2.77 - 3.25 m	9 ft 1 in - 11 ft 3 in	2.77 - 3.25 m	9 ft 1 in - 11 ft 3 in	2.77 - 3.25 m
<b>C</b> Width	36.5 in	.93 m	36.5 in	.93 m	36.5 in	.93 m
Width with required outriggers						
ANSI, CSA	5 ft 9 in	1.75 m	5 ft 9 in	1.75 m	6 ft 9 in	2.05 m
<b>D</b> Wheelbase (adjustable)	8 ft 8 in - 10 ft 8 in	2.64 - 3.25 m	8 ft 8 in - 10 ft 8 in	2.64 - 3.25 m	8 ft 8 in - 10 ft 8 in	2.64 - 3.25 m
<b>E</b> Straddle clearance	4 ft	1.22 m	4 ft	1.22 m	4 ft	1.22 m
<b>F</b> Height to ladder	2 ft 3 in	.69 m	2 ft 3 in	.69 m	2 ft 3 in	.69 m
<b>G</b> Height to fixed wheel	3 ft 4 in	1.02 m	3 ft 4 in	1.02 m	3 ft 4 in	1.02 m
Storage dimensions (l/w/d)	80/37/24 in	2.03/0.94/0.61 m	80/37/24 in	2.03/0.94/0.61 m	80/37/24 in	2.03/0.94/0.61 m

### Weight

	580 lbs	264 kg	580 lbs	264 kg	580 lbs	264 kg
--	---------	--------	---------	--------	---------	--------

Super Straddle Models	AWP-36S		AWP-40S	
Measurements	US	Metric	US	Metric
<b>A</b> Height	5 ft 10 in	1.78 m	5 ft 10 in	1.78 m
<b>B</b> Length (adjustable)	9 ft 1 in - 11 ft 3 in	2.77 - 3.25 m	9 ft 1 in - 11 ft 3 in	2.77 - 3.25 m
<b>C</b> Width	36.5 in	.93 m	36.5 in	.93 m
Width with required outriggers				
ANSI, CSA	8 ft 5 in	2.57 m	9 ft 1 in	2.77 m
<b>D</b> Wheelbase (adjustable)	8 ft 8 in - 10 ft 8 in	2.64 - 3.25 m	8 ft 8 in - 10 ft 8 in	2.64 - 3.25 m
<b>E</b> Straddle clearance	4 ft	1.22 m	4 ft	1.22 m
<b>F</b> Height to ladder	2 ft 3 in	.69 m	2 ft 3 in	.69 m
<b>G</b> Height to fixed wheel	3 ft 4 in	1.02 m	3 ft 4 in	1.02 m
Storage dimensions (l/w/d)	80/37/24 in	2.03/0.94/0.61 m	80/37/24 in	2.03/0.94/0.61 m

### Weight

	580 lbs	264 kg	580 lbs	264 kg
--	---------	--------	---------	--------

